

## Technical Specification

P/N:DS-1040	
Frequency Range(GHz)	0.1 – 0.4
Gain(dBi)	6 Typ.
Polarization	Linear
3dB Beamwidth(deg)	E Plane: 78 - 68
	H Plane: 150 - 140
VSWR	1.5:1 Typ. / 2.0:1 Max.
Output	N-Female
Average Power(W CW)	300
Peak Power(KW)	3
Material	Al
Size(mm)	1555 x 73 x 1408
Net Weight(Kg)	2.50 Around

P/N:DS-1040C	
Frequency Range(GHz)	0.1 – 0.4
Gain(dBi)	6 Typ.
Polarization	Linear
3dB Beamwidth(deg)	E Plane: 78 - 68
	H Plane: 150 - 140
VSWR	1.5:1 Typ. / 2.0:1 Max.
Output	N-Female
Average Power(W CW)	300
Peak Power(KW)	3
Material	Al
Size(mm)	1555 x 110 x 1400
Net Weight(Kg)	2.70 Around

P/N:DS-1040E	
Frequency Range(GHz)	0.1 – 0.4
Gain(dBi)	6 Typ.
Polarization	Linear
3dB Beamwidth(deg)	E Plane: 78 - 68
	H Plane: 150 - 140
VSWR	1.5:1 Typ. / 2.0:1 Max.
Output	N-Female
Average Power(W CW)	300
Peak Power(KW)	3
Material	Al
Size(mm)	1554.6 x 85 x 1601
Net Weight(Kg)	3.50 Around

AINFO Inc.

Page 1 of 6

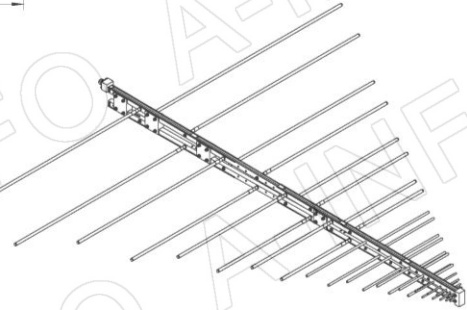
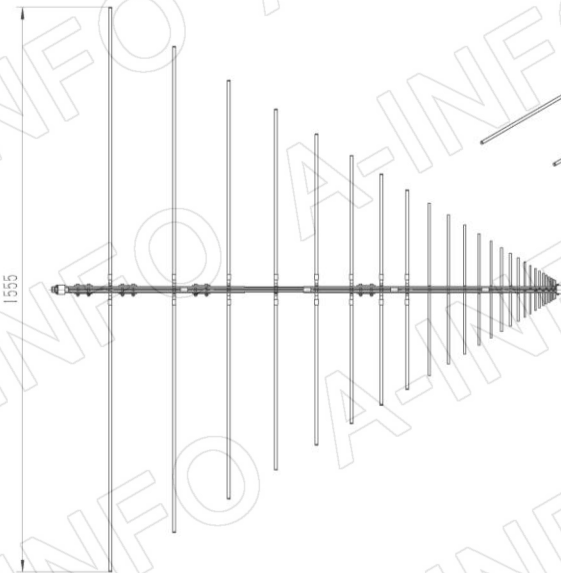
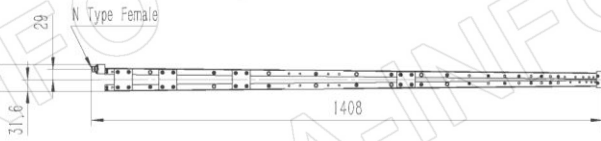
China(Beijing): Tel: (+86) 10-6266-7326,  
China(Chengdu): Tel: (+86) 28-8519-2786,  
USA: Tel: (+1) 949-639-9688,

(+86) 10-6266-7327 Fax: (+86) 10-6266-7379  
(+86) 28-8519-3044 Fax: (+86) 28-8519-3068  
(+1) 949-639-9608 Fax: (+1) 949-639-9670

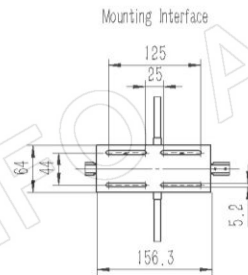
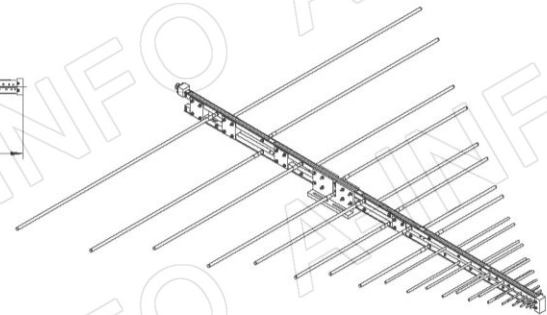
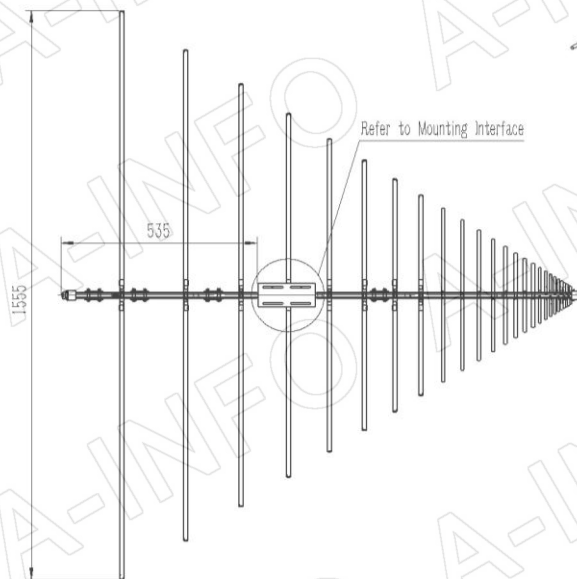
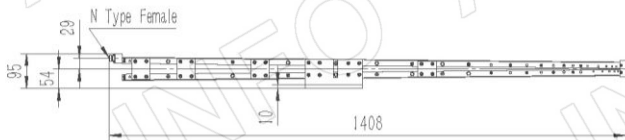
Website: www.ainfoinc.com  
Email: sales@ainfoinc.com

## Outline Drawing (Size: mm)

DS-1040 (P/N: DS-1040)



## DS-1040 with Mounting Bracket (Option, P/N: DS-10200-MB)



AINFO Inc.

Page 2 of 6

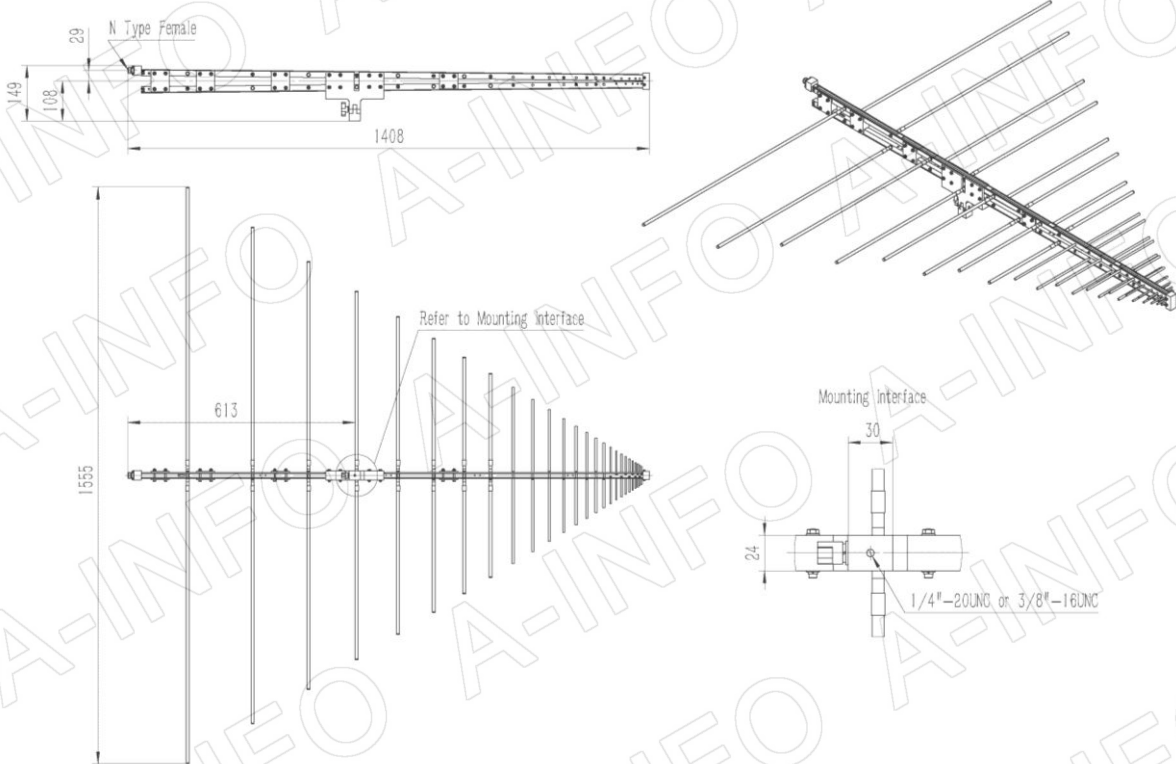
China(Beijing): Tel: (+86) 10-6266-7326,  
China(Chengdu): Tel: (+86) 28-8519-2786,  
USA: Tel: (+1) 949-639-9688,

(+86) 10-6266-7327  
(+86) 28-8519-3044  
(+1) 949-639-9608

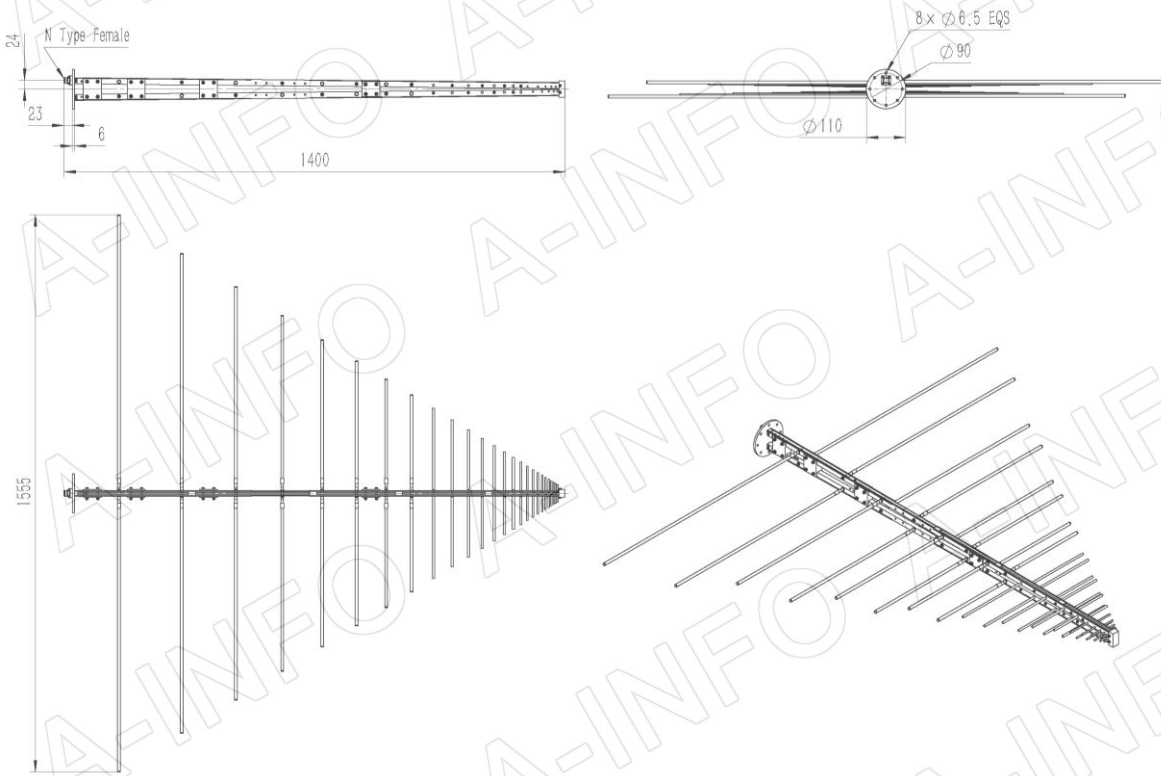
Fax: (+86) 10-6266-7379  
Fax: (+86) 28-8519-3068  
Fax: (+1) 949-639-9670

Website: [www.ainfoinc.com](http://www.ainfoinc.com)  
Email: [sales@ainfoinc.com](mailto:sales@ainfoinc.com)

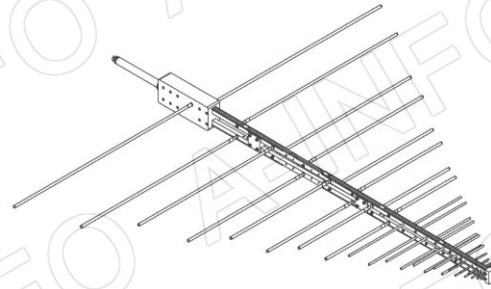
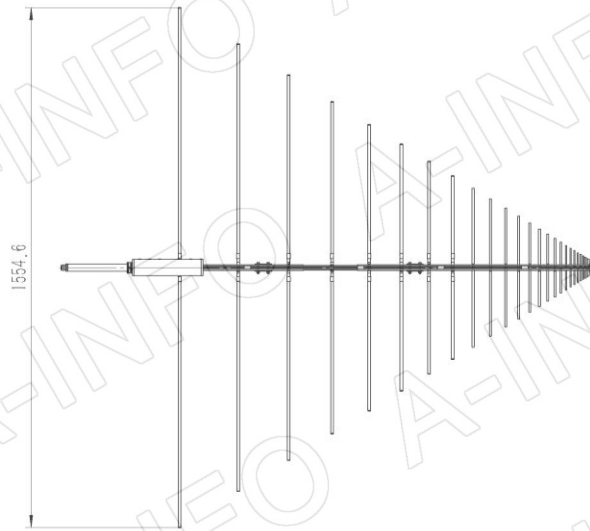
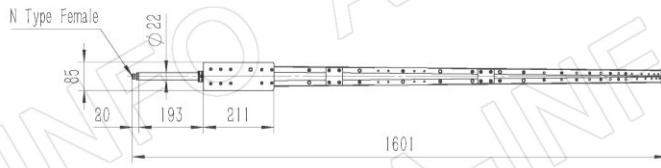
DS-1040 with Mounting Bracket for Tripod Application (Option, P/N: DS-10200-MBA)



DS-1040C (P/N: DS-1040C)

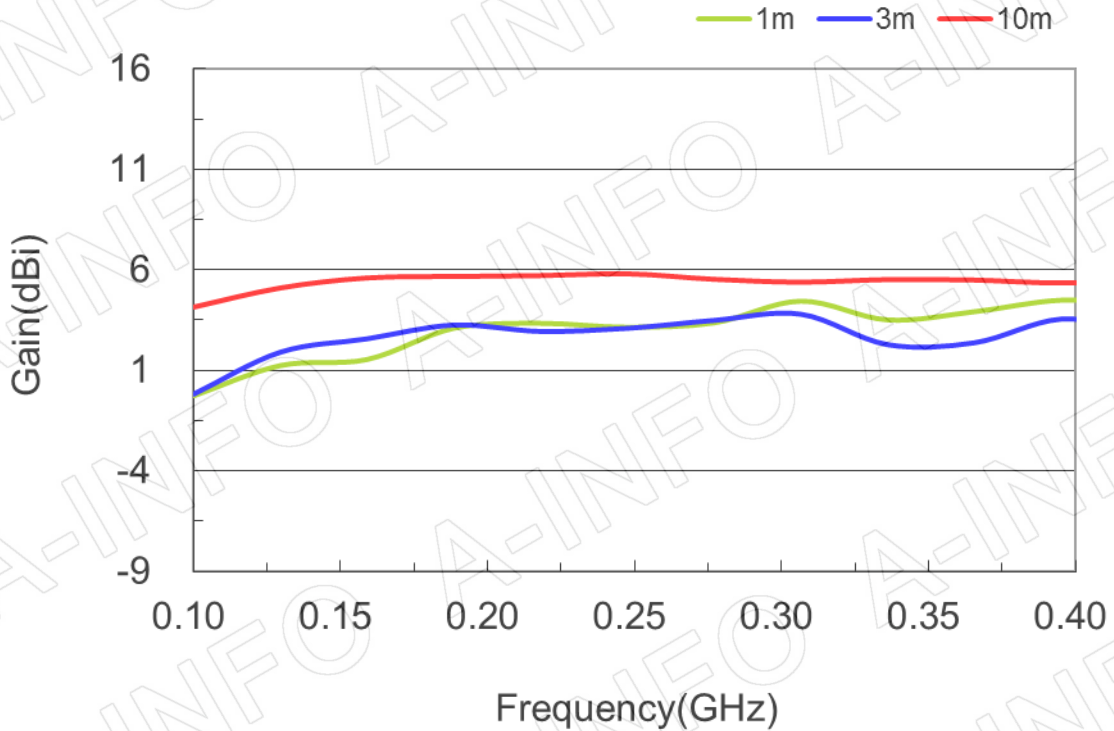


## DS-1040E (P/N: DS-1040E)

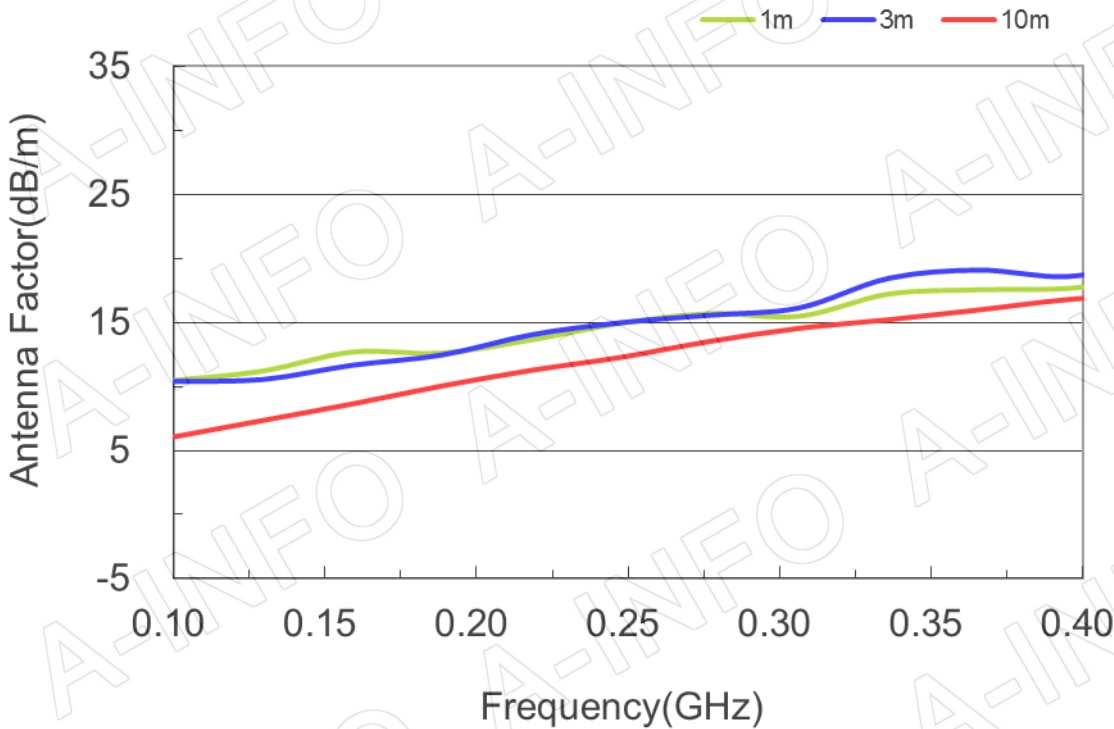


## Test Results

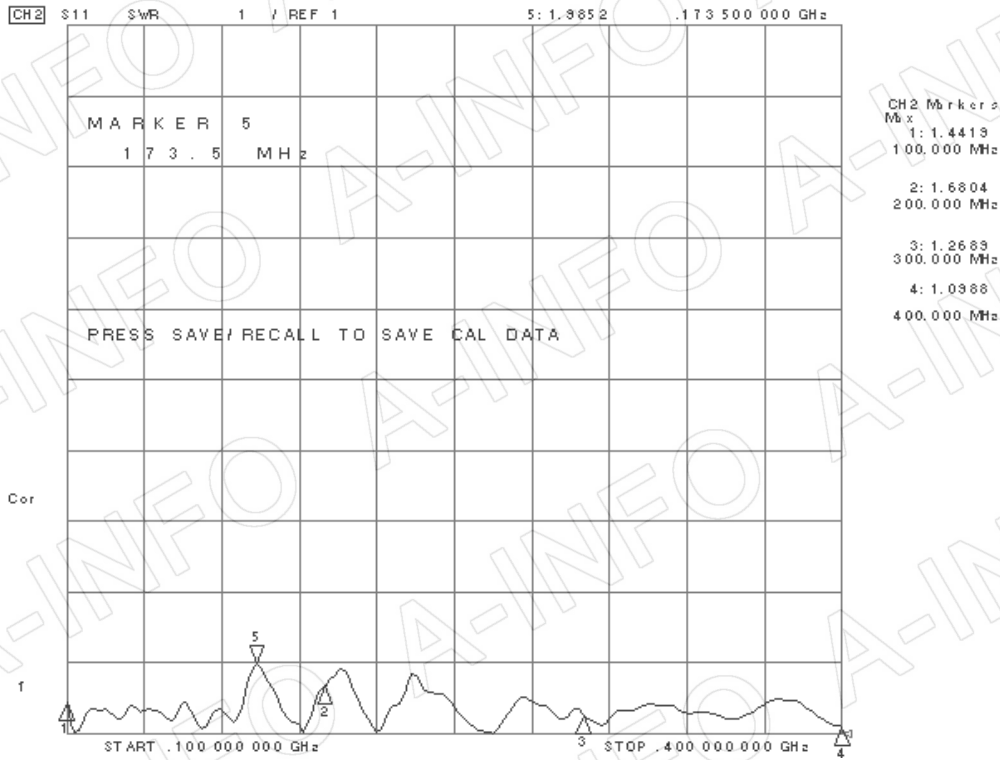
### 1. Gain



### 2. Antenna Factor



### 3. VSWR



### 4. Pattern

